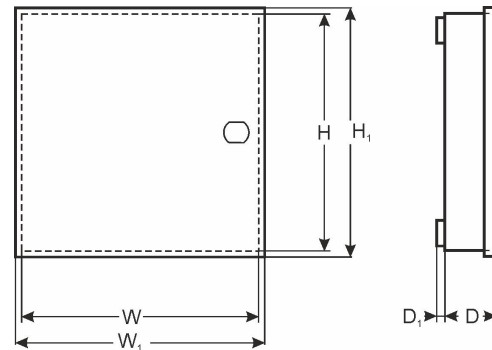


CODE: **AWO301 v1.7/III**
 NAME: **24/TRP80/DS**



DESTINATION

DSC

1) PC1616, 1832, 1864, 4020, 6010, 4x (4108, 5108, 6108, 5100, 4116, 5208) + 3x (5204, 5400, 5200, 5580, 4216, 6216, 6400)

MODULES:

1) (4204, 6204) + 4x (4108, 5108, 6108, 5100, 4116, 5208) + 3x (5204, 5400, 5200, 5580, 4216, 6216, 6400)

Satel

- 1) CA10, VERSA10,15, INTEGRA24, 32, 64, 128 + 6x CA64E (SM)
- 2) CA10, VERSA10,15, INTEGRA24, 32, 64, 128 + 5x CA64 (EPS, O-OC, O-ROC, O-R, VGM- 16, SR, ADR, ACC-KP-PS)
- 3) 6x CA64 (EPS, O-OC, O-ROC, O-R, VGM- 16, SR, ADR, ACC-KP-PS)
 3x CA64 (PP, OPS-OC, OPS-R, OPS-ROC) + CA64 (EPS, O-OC, O-ROC, O-R, VGM-16, SR, ADR, ACC-KP-PS) + 3x CA64E (SM)

TECHNICAL DATA

External dimensions of the enclosure:	W=350, H=400, D+D1=170+8 [+/-2 mm]
External dimensions of the front panel:	W1=355, H1=405 [+/-2 mm]
Weight net/gross:	6,08kg / 6,35kg [+/-0,1kg]
Battery space:	24Ah/12V Sealed Lead Acid (SLA)
Transformer:	TRP 80VA/16V/18V/20V in the case of PC/ABC in class UL94-V0, IP30
Power supply:	230V/AC (-15%/+10%), 50Hz, 400mA (max.)
Power supply output:	U1=16V/AC or U2=18V/AC or U3=20V/AC(-5%, +15%), I1=5,0A or I2=4,5A or I3=4,0A(max.)
Operating environment:	class II, -10°C+ 40°C
Material description:	sheet steel DC01, thickness: 0,7mm, protection anticorrosion, color: RAL 9003
Destination:	indoor
Tamper protection:	1 x microswitch: opening, 0,5A@50V/DC max. NC
Closing:	screwed x 4
Notes:	optional: lockable, distance from wall (mounting surface) - 8mm, easy door removal
Declaration, warranty:	CE, 2 year from the production date