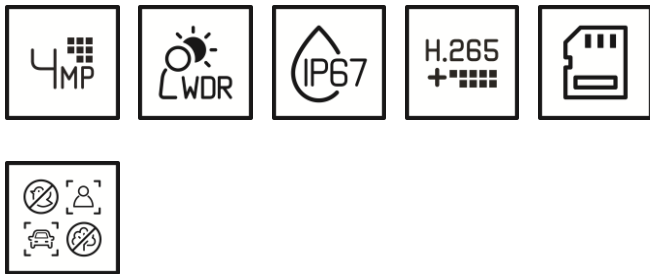


## GD-CI-CP4617W

4 MP Mini Fixed Dome IP-Camera 2.8mm ICR IR LED WDR  
H.265+



- Deep Learning - Human and Vehicle Analysis: Self learning human and vehicle classification improves unwanted alarm filtering
- SD/SDHC/SDXC memory card slot for alarm and schedule image recording
- H.265/H.265+, H.264/H.264+ & MJPEG compression modes
- Built-in microphone
- 3 Axis Gimbal for wall and ceiling mount
- 0 Lux: Integrated LED IR Illuminator viewable distance up to 30m
- Rugged antivandal body made of die-cast aluminium with polycarbonate lower dome for outdoor application
- Support Dual Power PoE/DC12V

### PROFESSIONAL

- Product Line PROFESSIONAL: These products cover most applications of modern video systems

Item Code: GD-CI-CP4617W

EAN CODE: 4260573063147

## Specifications GD-CI-CP4617W

## Camera

Image Sensor:	1/3" progressive Scan CMOS
Video Resolution:	2688 × 1520
Sensitivity Colour:	0.005 Lux @ F1.6 (AGC ON)
Sensitivity B/W:	0 Lux LED IR on
Shutter Speed:	1/3 ~ 1/100,000 s (Automated Electronic Shutter)
White Balance:	Manual, AWB1, AWB2, Locked WB, Fluorescent lamp, Incandescent lamp, Warm light, Natural light

## Lens

Lens Focal Length:	2.8 mm
Lens Mount:	M12
Field of View:	104.3° (horizontal), 55.9° (vertical), 123.8° (diagonal)

## Illuminator

Max. IR Distance:	Up to 30 m
Wavelength:	850 nm

## Video

Col/B&W:	On, Off, Auto, IR-cut filter removable (ICR)
Wide Dynamic Range:	120 dB
Image Enhancement:	BLC, 3D DNR, HLC
Image Settings:	Rotate mode, Saturation, Brightness, Contrast, Sharpness and white balance adjustable by client software or web browser
Day/Night Switch:	Support auto, scheduled, day, night

## Audio

Audio Compression:	G.711ulaw/G.711alaw/G.722.1/G.726/MP2L2/PCM/MP3/AAC
Audio Bit Rate:	64 Kbps (G.711ulaw/G.711alaw)/16 Kbps (G.722.1)/16 Kbps (G.726)/16 Kbps to 64 Kbps (AAC)/32 to 192 Kbps (MP2L2)/8 to 320 Kbps (MP3)
Environment Noise Filtering:	yes

## Network

Users:	3 Levels: Administrator, Operator and User
Number of Clients:	Up to 32, 6 simultaneously Live View
Functions:	One-key reset, anti-flicker, heartbeat, mirror, password protection, privacy mask, watermark, IP-address filter
Video Compression:	Main Stream: H.264, H.264+, H.265, H.265+ Sub-Stream: H.264, H.265, MJPEG Third Stream: H.264, H.265
Region of Interest:	1 fixed region for main stream and sub-stream
H.264 code profile:	Baseline Profile / Main Profile / High Profile
H.265 Code Profile:	Main Profile
Bit Rate:	32Kbps ~ 8Mbps

Item Code: GD-CI-CP4617W

EAN CODE: 4260573063147

Network	
Scalable Video Coding (SVC):	supported
SD Memory:	Micro SD/SDHC/SDXC card slot with ANR (up to 256G), NAS (Support NFS, SMB/CIFS)
Client software:	C-WERK Viewer, SCMS, IOS App, Android App (SCMS)
Web Browser:	Plug-in required live view: IE10/IE11 Non Plug-in live view: Chrome 57+, Mozilla Firefox 52+ Local Service: Chrome 57+, Firefox 52+
Frame Rate:	Main Stream 50 Hz: 25 fps (2688 × 1520, 1920 × 1080, 1280 × 720) 60 Hz: 30 fps (2688 × 1520, 1920 × 1080, 1280 × 720) Sub Stream 50 Hz: 25 fps (640 × 480, 640 × 360) 60 Hz: 30 fps (640 × 480, 640 × 360) 3. Stream 50 Hz: 10 fps (1920 × 1080, 1280 × 720, 640 × 480, 640 × 360) 60 Hz: 10 fps (1920 × 1080, 1280 × 720, 640 × 480, 640 × 360) * 3. Stream supported under certain settings
Network Protocol:	TCP/IP, IPv4, ICMP, HTTP, HTTPS, FTP, DHCP, DNS, DDNS, RTP, RTSP, RTCP, NTP, UPnP, SMTP, IGMP, 802.1X, QoS, IPv6, Bonjour, UDP, PPPoE, SNMP
Cyber Security:	3 levels of user management: admin, operator, user, AES Encryption for Password Protection, Complicated Password, HTTPS (SSL) Login Authentication, Basic and digest authentication for HTTP/HTTPS, 802.1X authentication, (EAP-LEAP), 802.1X authentication (EAP-TLS), 802.1X authentication (EAP-MD5), Watermark, IP Address Filter, WSSE and digest authentication for ONVIF, Security audit log, SNMP V2, SNMP V3, TLS 1.0, TLS 1.1, TLS 1.2, TLS 1.2 with updated cipher suites including AES 256 encryption. Brute Force Delay Protection, Signed Firmware, Secure Boot by software check
Reset Button:	yes
I/O Interface	
Audio Input/Output:	2 Inputs: line in, or mic in (built-in microphone), 1 Output: line out, mono sound, terminal block
Alarm Input/Output:	1 input, 1 output (up to 12 VDC, 30 mA)
Network Interface:	1x 10, 100 Base T, TX PoE (RJ-45)
Intelligent Functions	
Deep Learning Analytics:	Line crossing detection, intrusion detection, human and vehicle object classification
Motion Detection:	Off, ON (Normal), Expert mode: 8 user-defined rectangular zones, by schedule
Intrusion Detection:	Enter and loiter in a pre-defined virtual region
Line Crossing:	Cross a pre-defined virtual line
Face Detection:	Human face appears in the image can be detected and trigger event action
Tamper Protection:	Scene change and defocus
Event Source:	Video tampering, network disconnected, IP address conflicted, HDD full, HDD error, illegal login, motion detection
Event Action:	Recording: Pre-event, post-event memory card and/or network storage. Picture upload: FTP, HTTP and NAS. Trigger E-mail notification: HTTP, ISAPI. Alarm output and notification to C-WERK VMS. Events are depending on schedule settings.
Approvals	
Protection Rating:	IP67 (IEC 60529-2013), IK08 (IEC 62262:2002)
Regulation:	CE, EAC, FCC, RoHS Compliant
Standard:	ONVIF (Profile S, Profile G), SDK/API

Item Code: GD-CI-CP4617W

EAN CODE: 4260573063147

## Environmental

Operating Temperature:	-30 °C ~ 60 °C (-22 °F ~ 140 °F)
Humidity:	Less than 95%, non condensing

## Electrical

Supply Voltage:	12 VDC, PoE (IEEE 802.3af)
Power Consumption:	Max. 6.5 W

## Mechanical

Material:	Aluminium, Plastic
Mount:	Pan: -30° to +30°, tilt: 0° to 75°, rotation: 0° to 360°
Dimensions:	Ø 110 x 57 mm (Ø 4.32 x 2.2 inch)
Weight:	380 g (0.84 lb)

## Accessories:



GD-BR-AMW22

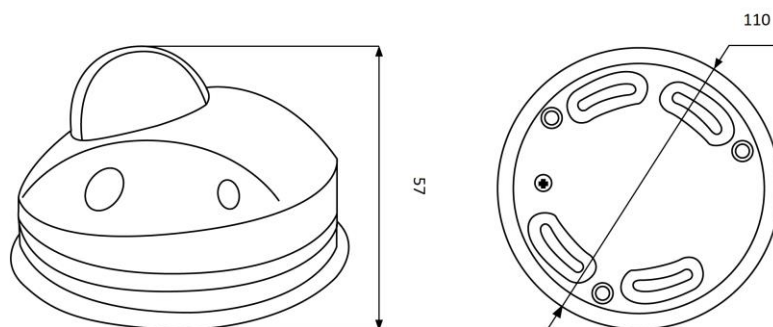


GD-BR-AMP16



GD-BR-AJX10

## Dimensions:



Item Code: GD-CI-CP4617W

EAN CODE: 4260573063147

