

MC 275

High Security Contact with Rotating Screw, NC

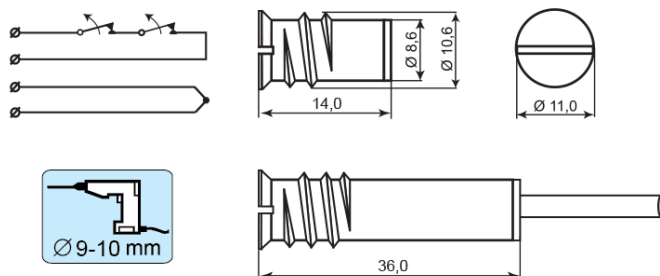


Technical data

Installation method	Recessed mounting
Contact function	Normally Closed (NC)
Approvals	EN 50131-2-6 Grade 3, Class IIIA, VdS G 115008, Class C, SBSC 15-237, Class 4, F&P, FG
Contact rating	48 VDC / 500 mA / 10 VA
Drill diameter mm	9-10
Mounting on steel	Only with accessories
Make distance (wood) mm	15
Sabotage distance (wood) mm	5
Make distance (steel) mm	X
Sabotage distance (steel) mm	X
Tamper protection	Yes
Connection	Cable
Housing material	Metal
Operating temperature range	-40°C - +70°C
Housing protection class	IP 67
Contact dimensions (L x Ø) mm	36 x 11
Magnet dimensions (L x Ø) mm	22 x 11
Normal operation	12 VDC
Grade	2




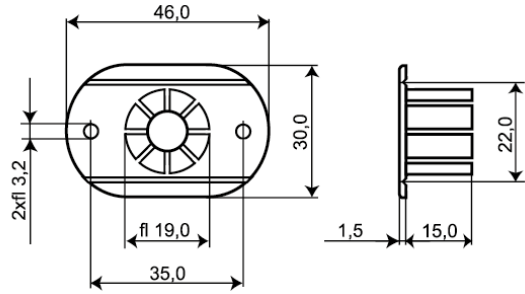
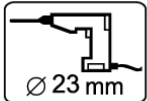

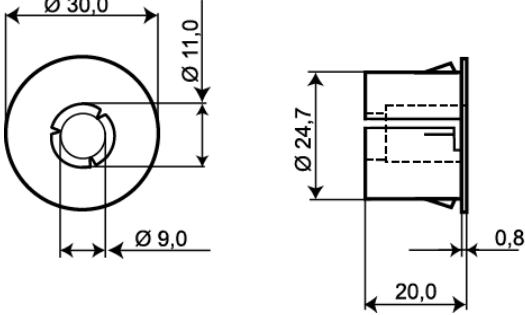
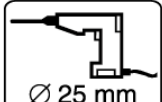

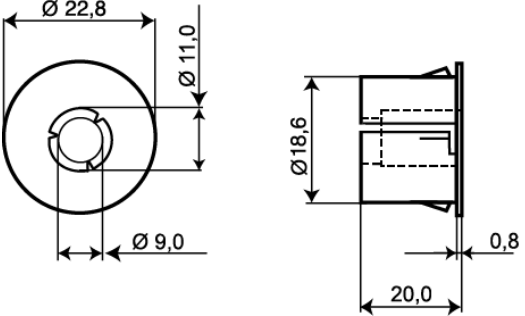
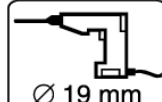
MC 275 is a universal magnetic contact with NC function for high security systems that can be used both in alarm and access control systems for monitoring e.g. doors and windows against unauthorized opening. The contact is specially designed for use in banks, museums, art galleries, stores, etc. Both the contact and the magnet part are of Al-alloy and formed in the shape of a threaded screw, which enables easy installation into wood or plastic. The magnetic contact has a rotating screw system which protects the cable from mechanical stress in tight spaces. With our extensive range of installation accessories it is easy to install the contact recessed on metal and other materials. Contact and magnet are paired. To ensure proper functionality, do not replace the contact or magnet alone.



ORDERING INFORMATION

Model	Description
MC 275	High security magnetic contact, recessed mounting, 2 m cable
MC 275-6	High security magnetic contact, recessed mounting, 6 m cable
MC 275-10	High security magnetic contact, recessed mounting, 10 m cable

Related products and accessories

	<p>MC 200-S11</p> <p>Plastic Flange for MC 240, 246, 247, 250, 255, 270, 272, 275</p>		 <p>Ø 23 mm</p>
	<p>MC 200-S21</p> <p>Plastic Snap-in Flange for MC 240, 246, 247, 250, 255, 270, 272, 275</p>		 <p>Ø 25 mm</p>
	<p>MC 200-S31</p> <p>Plastic Snap-in Flange for MC 240, 246, 247, 250, 255, 270, 272, 275</p>		 <p>Ø 19 mm</p>