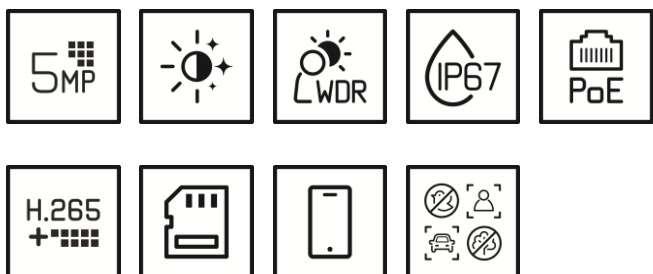


# GU-CI-AC5637E

5 MP Turret Dome IP-Camera 2.8~12mm



- Reduction of unwanted alarms (false alarms) by classifying target objects using deep learning algorithms. This significantly reduces false alarms generated by objects other than people or vehicles. This makes finding events easier and saves hard drive capacity
- Many AI functions integrated such as face detection, intrusion detection, object counting, queues, heat map and much more
- Motorized Varifocal Lens:  $f = 2.8 - 12 \text{ mm}$
- WDR (Wide Dynamic Range) for extreme backlight situations
- NDAA compliant

## SMART

- Product Line SMART: These products cover most applications of modern video systems plus advanced AI analytics

Item Code: GU-CI-AC5637E

EAN CODE: 4260573063864

## Specifications GU-CI-AC5637E

**Camera**

Image Sensor:	1/2.7" progressive Scan CMOS
Video Resolution:	2880 x 1620
Sensitivity Colour:	0.004 Lux @ F1.6 (AGC ON)
Sensitivity B/W:	0 Lux LED IR on
Shutter Speed:	1/5 ~ 1/20000 s
Slow Shutter:	Support
White Balance:	Auto , Manual

**Lens**

Lens Focal Length:	2.8 ~ 12 mm motorized, autofocus
Iris F-Number:	F1.8 ~ 3.3
Lens Drive Type:	Fixed Iris
Field of View:	107° ~ 34° (horizontal), 55° ~ 19° (vertical), 134° ~ 38° (diagonal)

**Illuminator**

Max. IR Distance:	Up to 45 m
-------------------	------------

**Video**

Col/B&W:	Auto, IR-cut filter removable (ICR)
Wide Dynamic Range:	120 dB On/ Off
Image Enhancement:	BLC, 3D DNR, HLC
Image Settings:	Corridor mode, Saturation, Brightness, Contrast, Sharpness and white balance adjustable by client software or web browser
Day/Night Switch:	Support auto, scheduled, day, night, Image

**Audio**

Audio Detection:	Detects unusual noises: dogs barking, babies crying, gunshots, sudden sound increase and decrease
------------------	---

**Network**

Functions:	One-key reset, anti-flicker, three streams, mirror, password protection, privacy mask, IP-address filter
Video Compression:	H.264, H.264+, H.265, H.265+ , MJPEG
Bit Rate:	256 Kbps to 8 Mbps
SD Memory:	Built-in Micro SD, SDHC, SDXC slot from 32 up to 256 GB
Frame Rate:	Main Stream 50 Hz: 25 fps (2880x1620, 2560x1440, 2304x1296, 1920 x 1080, 1280x720) 60 Hz: 30 fps (2880x1620, 2560x1440, 2304x1296, 1920 x 1080, 1280x720) 2. Stream 50 Hz: 25 fps (1280 x 720, 640x480, 320x240) 60 Hz: 30 fps (1280 x 720, 640x480, 320x240) 3. Stream 50 Hz: 25 fps (640x480, 320x240) 60 Hz: 25 fps (640x480, 320x240)
Network Protocol:	TCP/IP, IPv4/IPv6, HTTP, HTTPS, FTP, DHCP, DNS, DDNS, RTP, RTSP, NTP, UPnP, SMTP, PPPoE, SNMP

Item Code: GU-CI-AC5637E

EAN CODE: 4260573063864

**Network**

Cyber Security:	Different password levels, password protection, complicated password, HTTPS encryption, digest authentication for HTTP/HTTPS , IP address filter, WSSE and digest authentication for ONVIF, RTP/RTSP over HTTPS, control timeout settings, security audit log, TLS 1.0, TLS 1.1 & TLS 1.2, TLS 1.2 with updated cipher suites including AES 256 encryption, Brute Force Delay Protection, Signed Firmware.
-----------------	--

**I/O Interface**

Audio Input/Output:	1-ch audio input and 1-ch audio output
Network Interface:	1x 10, 100 Base T, TX PoE (RJ-45)

**Intelligent Functions**

Motion Detection:	On, Off, Area Setting, Sensitivity
People & Vehicle Detection:	Adjustable whether people, motorized or non-motorized vehicles should be detected.
Intrusion Detection:	People, motorized vehicles or non-motorized vehicles, enter, exit or drive over a predefined virtual area, up to 4 rules are supported
Line Crossing:	People, motorized vehicles or non-motorized vehicles cross a pre-defined virtual line, up to 4 rules are supported
Object Removal:	Detects objects left over or lost in the pre-defined region such. In this case an alarm notification or signal will be sent automatically and in real time.
Object Counting:	Entrance and Exit object number is accounted and showed on screen in real time
Face Detection:	Human face appears in the image can be detected and trigger event action
License Plate Recognition:	Detects and recognizes car number plates. (Data- import- export function, actions can be triggered via the allowed, blocked and other list, only supported with insert SD-Card).
Heat Map:	Visualizes the number of people in the surveillance area over a period of time with a simple and user-friendly color scheme
Queue Length Detection:	Counts people in a predefined area and measures service time. The area, the maximum number of people in it and the maximum service time can be set
Crowd Density Detection:	Counts people in a predefined area. The area, the maximum number of people in it can be set
Limits of intelligent functions:	Only one of the AI functions can be selected at a time
Event Source:	Video tampering, network disconnected, IP address conflicted, HDD full, HDD error, illegal login, motion detection
Event Action:	Send E-mail, trigger alarm output, notify surveillance C-WERK, upload to FTP/NAS, trigger SD-card recording and/or image capture.

**Approvals**

Protection Rating:	IP67 (IEC 60529-2013)
Regulation:	CE, EAC, FCC, RoHS Compliant
Standard:	ONVIF (Profile S, Profile G, Profile T), SDK/API

**Environmental**

Operating Temperature:	-35 °C ~ 60 °C (-31 °F ~ 140 °F)
Humidity:	Less than 95%, non condensing

**Electrical**

Supply Voltage:	12 VDC, PoE (802.3af)
Power Consumption:	Max. 9.5 W

**Mechanical**

Mount:	Pan: 0° to 360°, tilt: 0° to 90°, rotation: 0° to 360°, 3-Axis Adjustment
--------	---

Item Code: GU-CI-AC5637E

EAN CODE: 4260573063864

## Mechanical

Dimensions:  $\varnothing$  136x 127 mm ( $\varnothing$ 5.3 x 4.95 inch)

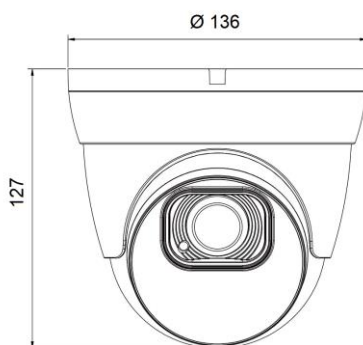
Weight: 820 g (1.8 lb)

## Accessories:



GU-BR-AMW05

## Dimensions:



Item Code: GU-CI-AC5637E

EAN CODE: 4260573063864