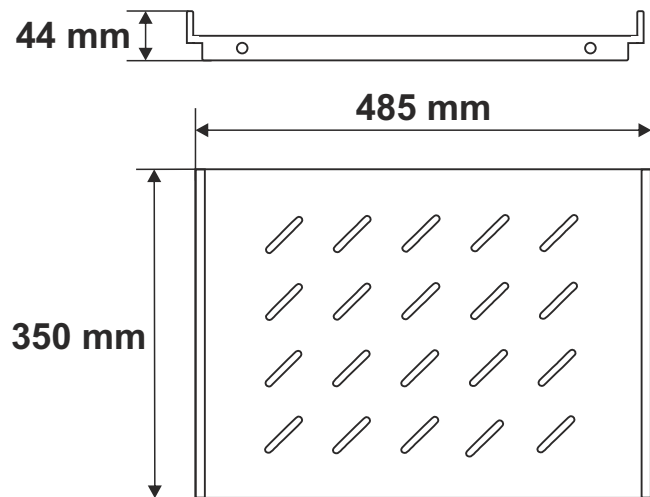
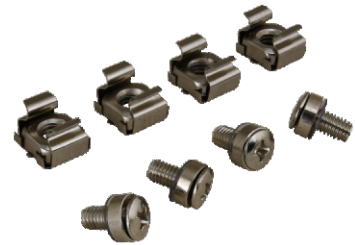


CODE: **RAPS600** v1.2/IV
 NAME: **Fixed shelf 485x350 for RACK cabinet, type RW/RWA/RS/ZRS**

EN



INTENDED USE

The fixed shelf is intended for a 600mm deep RACK cabinet, type: RW/RWA/RS/ZRS. Due to the shelf, the RACK cabinet can accommodate devices that are not housed in a RACK 19" enclosure.

SPECIFICATIONS

External dimensions:	W=485, H=44, D=350 [mm, +/-2]
Dimensions of the shelf:	W=485, D=350 [mm, +/-2]
Net/gross weight:	2,31 / 2,46 [kg]
Materials:	1,2 mm steel sheet, RAL 9004
Static load:	60 kg
Use:	inside
Warranty:	1 year from production date
Notes:	- four-point fixing to the side RACK rails - mounting set includes: 4 M6 screws, cage nuts