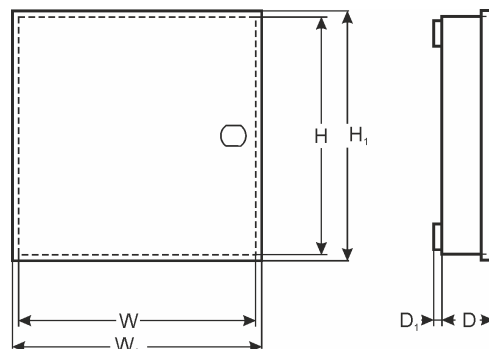


CODE: **AWO205 v1.4/II**
 NAME: **17/TRP40/SATEL**



DESTINATION

SATEL:

CONTROL PANELS:

7Ah:

- 1) CA4V1, 5, 6, 10, VERSA 5, 10, 15, INTEGRA 24, 32 + 3 x CA10E (CA64E, SM, MST1)
- 2) CA4V1, 5,6,10, VERSA 5,10,15, INTEGRA 24, 32 + CA10E (CA64E, SM, MST1) + GSMLT1
- 3) CA4V1,5,6,10, VERSA 5,10,15, INTEGRA 24, 32 + CA10E (CA64E, SM, MST1) + CA64 (EPS, ADR, O-R, O-ROC, O-OC, VGM- 16, SR, ACC- KP-PS)

MODULES:

- 1) CA64 (PP, EPS, ADR, O- R, O-ROC, O-OC, OPS- OC, OPS- R, OPS- ROC, VGM- 16, SR, PTSA, ACC-KP- PS) + 3 x CA10E (CA64E, SM, MST1)

17 Ah:

- 1) CA4V1, 5,6, 10, VERSA 5,10,15, INTEGRA 24, 32 + 2 x CA10E (CA64E, SM, MST1)
- 2) CA4V1, 5,6,10, VERSA 5,10,15, INTEGRA 24, 32 + GSMLT1
- 3) CA4V1, 5,6,10, VERSA 5,10,15, INTEGRA 24, 32 + CA64 (EPS, ADR, O- R, O-ROC, O-OC, VGM-16, SR, ACC- KP- PS)

MODULES:

- 1) CA64 (PP, EPS, ADR, O-R, O-ROC, O-OC, OPS- OC, OPS- R, OPS- ROC, VGM-16, SR, PTSA, ACC- KP- PS) + 2x CA10E (CA64E, SM, MST1)

TECHNICAL DATA

External dimensions of the enclosure:	W=320, H=305, D+D1=90+8 [+/- 2 mm]
External dimensions of the front panel:	W1=325, H1=310 [+/- 2 mm]
Weight net/gross:	3,00kg / 3,20kg [+/- 0,1kg]
Battery space:	17Ah/12V Sealed Lead Acid (SLA)
Transformer:	TRP 40VA/16V/18V in the case of PC/ABC in class UL94-V0, IP20
Power supply:	230V/AC (-15%/+10%), 50Hz, 200mA (max.)
Power supply output:	U1=16V/AC or U2=18V/AC (-5%, +15%), I1=2,2A or I2=2,0A (max.)
Operating environment:	class II , -10°C+ 40°C
Material description:	sheet steel DC01, thickness: 0,7mm, protection anticorrosion, color: RAL 9003
Destination:	indoor
Tamper protection:	1 x microswitch: opening, 0,5A@50V/DC max. NC
Closing:	screwed x 4
Notes:	optional: lockable, distance from wall (mounting surface) - 8mm, easy door removal hole for pigtail (LT-1x antenna)
Declaration, warranty:	CE, 2 year from the production date