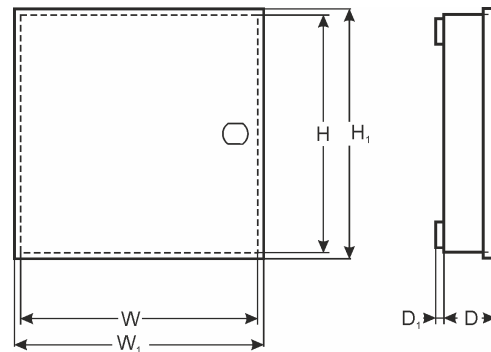


CODE: **AWO006 v1.0/II**
 NAME: **7/TRP40/SATEL**



DESTINATION

CONTROL PANELS: CA 4V1, CA5, CA6, CA10, VERSA 5,10,15, INTEGRA 24, 32

MODULES: CA64 (PP, EPS, ADR, O- R, O- ROC, O- OC, OPS- OC, OPS-R, OPS- ROC, VGM- 16, SR, PTSA, ACC- KP- PS)

TECHNICAL DATA

External dimensions of the enclosure:	W=250, H=250, D+D1=80+8 [+/-2 mm]
External dimensions of the front panel:	W1=255, H1=255 [+/-2 mm]
Weight net/gross:	2,40kg / 2,55kg [+/-0,1kg]
Battery space:	7Ah/12V Sealed Lead Acid (SLA)
Transformer:	TRP 40VA/16V/18V in the case of PC / ABS, in class UL94-V0, IP30
Power supply:	230V/AC (-15%/+10%), 50Hz, 200mA (max.)
Power supply output:	U1=16V/AC or U2=18V/AC (-5%, +15%), I1=2,2A or I2=2,0A (max.)
Operating environment:	class II , -10°C+ 40°C
Material description:	sheet steel DC01, thickness: 0,7mm, protection anticorrosion, color: RAL 9003
Destination:	indoor
Tamper protection:	1 x microswitch: opening, 0,5A@50V/DC max. NC
Closing:	screwed x 4
Notes:	optional: lockable, distance from wall (mounting surface) - 8mm, easy door removal
Declaration, warranty:	CE, 2 year from the production date