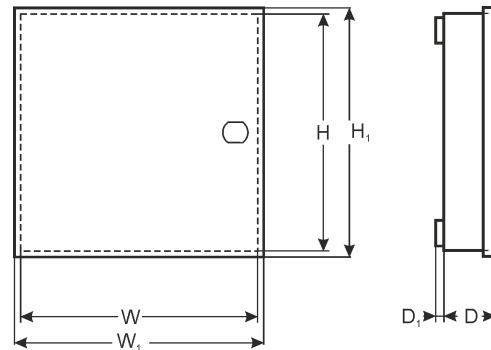


CODE: **AWO256 v1.8/III**
 NAME: **17/TRP50/SATEL**



PRODUCT DESCRIPTION:

SATEL:

- 1) CA6,10, VERSA 5,10,15, INTEGRA 24,32 + 4x CA10E (CA64E, SM, MST1)
- 2) CA6,10, VERSA 5,10,15, INTEGRA 24, 32 + 3 x CA10E (CA64E, SM, MST1) + CA64 (EPS, O-OC, O- ROC, O-R, VGM- 16, SR, ADR, ACC-KP-PS)
- 3) CA 6, 10, VERSA 5,10,15, INTEGRA 24, 32 + CA64 (E, SM, MST1) + 2 x CA64 (EPS, O-OC, O-ROC, O-R, VGM- 16, SR, ADR, ACC- KP- PS)
- 4) INTEGRA 64, 128 + 3 x CA64E (CA10E, SM, MST1)
- 5) INTEGRA 64, 128 + CA64E (CA10E, SM, MST1) + CA64 (EPS, O- OC, O-ROC, O-R, VGM- 16, SR, ADR, ACC- KP- PS)

MODULES:

- 1) CA64 (PP, OPS- OC, OPS-R, OPS- ROC, EPS, O-OC, O-ROC, O-R, VGM- 16, SR, ADR, ACC-KP-PS) + 4 x CA64E (CA10E, SM, MST1)
- 2) CA64 (PP, OPS-OC, OPS-R, OPS-ROC) + CA64 (EPS, O-OC, O-ROC, O-R, VGM16, SR, ADR, ACC- KP-PS) + 3 x CA6 (CA10E, SM, MST1)
- 3) 2 x CA64 (EPS, O-OC, O-ROC, O-R, VGM- 16, SR, ADR, ACC- KP-PS) + 3 x CA64E (CA10E, SM, MST1)

SPECIFICATIONS:

External dimensions of the enclosure:	W=320, H=400, D+D ₁ =90+8 [+/-2 mm]
External dimensions of the front panel:	W ₁ =325, H ₁ =405 [+/-2 mm]
Weight net/gross:	3,52kg / 3,80kg [+/-0,1kg]
Battery space:	17Ah/12V Sealed Lead Acid (SLA)
Transformer:	TRP 50VA/16V/18V/20V in the case of PC/ABC in class UL94-V0, IP30
Power supply:	230V/AC (-15%/+10%), 50Hz, 250mA (max.)
Power supply output:	U1=16V/AC or U2=18V/AC or U3=20V/AC(-5%,+15%),I1=3,0A or I2=2,8A or I3=2,5A (max.)
Operating environment:	class II , -10°C+ 40°C
Material description:	sheet steel DC01, thickness: 0,7mm, protection anticorrosion, color: RAL 9003
Destination:	indoor
Tamper protection:	1 x microswitch: opening, 0,5A@50V/DC max. NC
Closing:	screwed x 4
Notes:	optional: lockable, distance from wall (mounting surface) - 8mm, easy door removal
Declaration, warranty:	CE, 2 year from the production date