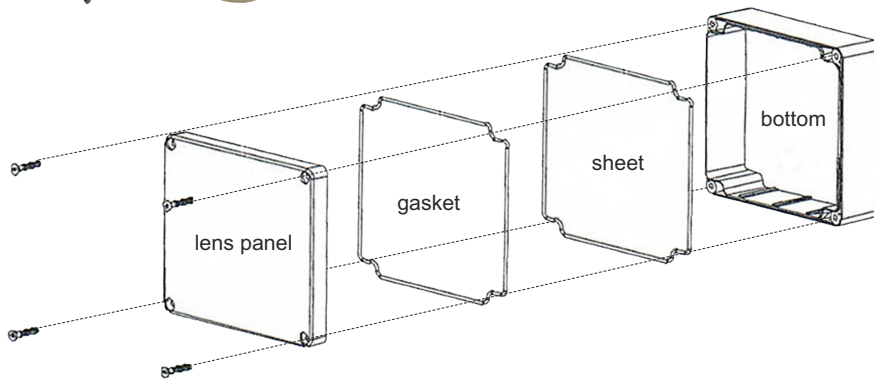
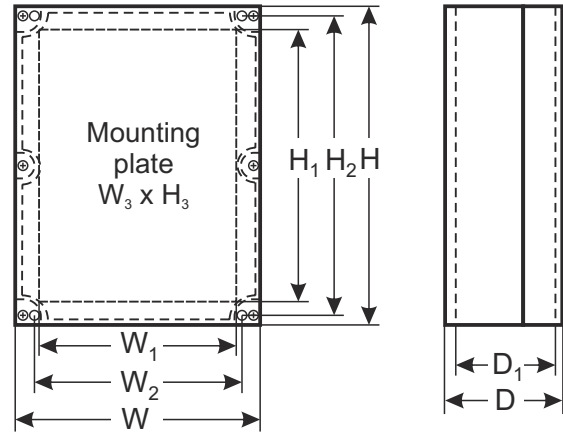


CODE: **AWO603** v.1.0/III
 NAME: **Casing ABS 160x160x90 IP65**



APPLICATION

Casing **AWO603** is intended for installation of security access control and CCTV systems, which require IP65 protection level. Protection level IP65 („6” – anti-dust protection, „5” – anti-water stream protection). Casing is equipped with metal mounting plate, of thickness 1 mm, of dimensions 150mm x 110mm painted in white colour RAL9003 and cable glands M12- 2pcs and M16- 1pcs.

TECHNICAL DATA

External dimensions of the enclosure:	W=160, H=160, D=90 [+/- 2mm]
Internal dimensions of the enclosure:	W ₁ =123, H ₁ =152, D ₁ =77 [+/- 2mm]
Mounting dimensions:	W ₂ =145, H ₂ =125 [+/- 2mm]
Mounting plate dimensions:	W ₃ =150, H ₃ =110 [+/- 2mm]
Weight net/gross:	0,60kg / 0,65kg [+/-0,1kg]
Operating environment:	class II, -20°C+ 70°C
Material description:	ABS, IP65, color: beige
Destination:	outdoor/indoor
Closing:	screwed x 4
Notes:	includes cables glands: M12 x 2 pcs, M16 x 1pcs
Declarations, warranty:	CE, RoHS, 2 year from the production date