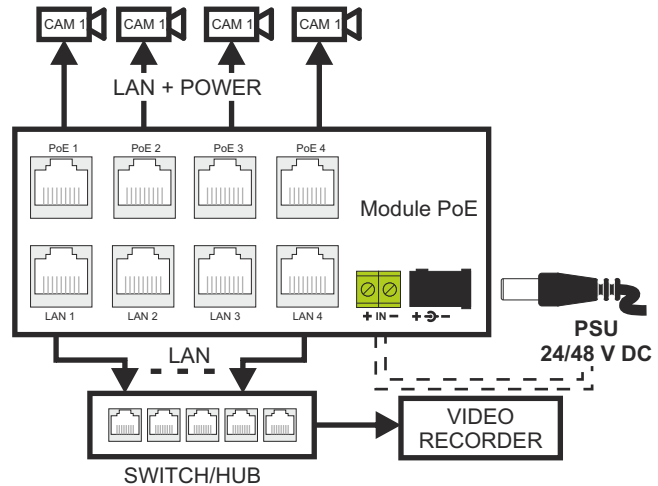
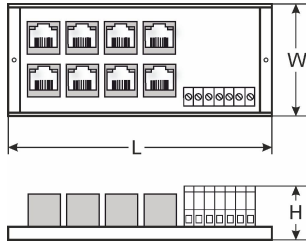


CODE: **AWZ603** v.1.0/III

NAME: **PoE4/0,5-1A/2,5/AW/R** Power supply distribution module for IP cameras (PoE)

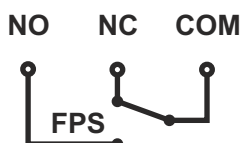


DESCRIPTION

The PoE4 power supply distribution module is designed to supply 4 IP devices e.g. web cameras, access points, etc.) requiring voltage of **20V±56V DC**. The power is supplied with use of four-pair twisted pair, using the **4/5 (+)** and **7/8 (-)** pairs, which, in accordance with the Ethernet network standard, are not used for data transmission (data transmission is performed using 1/2 and 3/6 pairs). The module cannot be used in Gigabit Ethernet, where all twisted pairs are involved in data transmission! The module is equipped with two power inputs: screw connector, the DC5.5 / 2.1 socket and four independent **PoE1 ÷ PoE4** outputs for connecting cameras. Each output is fitted with short-circuit protection (SCP), in the form of a fuse F 0,5A (the possibility of using 1A fuses, not supplied) and overvoltage protection - varistors. The output status is indicated by four **L1 ÷ L4** LED lights. A fuse failure is indicated by turning off the corresponding LED: L1 for PoE1 etc. Additionally, in the case of failure, the FPS output FPS (hi-Z status) and FPS LED are activated, while relay contacts are switched. The FPS output may be used for remote control of the PoE module, e.g. external optical indication. The module is adapted for connection of cables with a maximum cross section of **2,5mm²**.

SPECIFICATIONS

Supply voltage	20V±56V DC (-2%/+2%)
Output voltage	$U_{PoE} = U_{IN}$ (equal to supply voltage)
Current consumption	16mA @ $U_{in} = 24V$ DC 32mA @ $U_{in} = 48V$ DC
Number of power inputs	2: DC jack 5,5/2,1 or screw connection – 2,5mm² max. cable
Number of power outputs	4 (PoE terminals) – RJ-45 jack
Protections against: - a short circuit SCP - an overload OLP - a surge	- 4 x F 0,5A (the possibility of using 1A fuses, not supplied) - varistors
LED indication	- LEDs: green L1 ÷ L4 –PoE1÷PoE4 outputs status - LEDs red L_{FPS} supply voltage indicator
Fuses F1 ÷ F4	F 0,5A
Operating conditions	II environmental class, -10°C ÷ 50°C
Dimensions	L=150, W=53, H=25 (+/-2mm)
Installation	A mounting panel with an adhesive tape, mounting screws x 2 (holes Ø3mm)
Connectors: - power supply input - input/output LAN/PoE	- DC jack 5,5/2,1 or screw connection $\Phi 0,41 \pm 2,59$ (AWG 26-10), $0,2 \pm 2,5mm^2$ - RJ-45 jack 8p8c
Net/gross weight	0,12kg / 0,15kg
Declarations, warranty	CE, 2 year from the production date



Electrical diagram of the relay output.