



RJ45/5U-K  
v1.0

## UTP Cat. 5e, RJ45 Keystone adapter



Edition: 1 from 01.06.2017  
Supercedes the edition: -----

EN



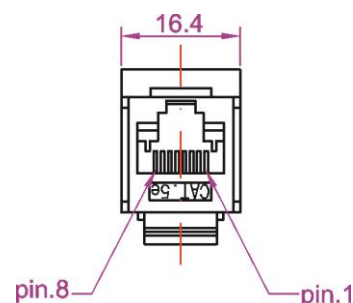
RJ45 Keystone adapter

### 1. Technical description.

The RJ45/5U-K Keystone adapter is designed for connecting two RJ45 twisted pair computer cables. The adapter is designed to connect 4 Pair Unshielded (UTP) Cat 5e cables. The connection uses RJ45-RJ45 patch cords.

Main features:

- Adapter for RJ45-R45 cables
- Can be mounted in Keystone panels
- Mounting: snap-in
- Fits most frames with Keystone jacks
- High quality material



### 2. Technical parameters.

Code:	RJ45/5U-K
Connector type	RJ45 (single) - - - RJ45 (single)
Cable type	UTP, cat. 5e
Dimensions: (diameter/length)	See Fig. 1
Net/gross weight	0,005 kg
Declarations, warranties	CE, one year from the date of manufacture

### 3. Application:

Adapters (RJ45 computer adapters) can be used in telecommunication enclosures fitted with holes for their installation. The snap-in mechanism simplifies the mounting process and reduces the time required for mounting of media enclosures.

Adapters are equally often used in frames and patch panels with connectors that are compatible with Keystone system.



#### WEEE MARK

According to the EU WEE Directive – It is required not to dispose of electric or electronic waste as unsorted municipal waste and to collect such WEEE separately.

#### Pulsar

Siedlec 150, 32-744 Łapczyca, Polska  
Tel. (+48) 14-610-19-40, Fax. (+48) 14-610-19-50  
e-mail: [biuro@pulsar.pl](mailto:biuro@pulsar.pl), [sales@pulsar.pl](mailto:sales@pulsar.pl)  
http:// [www.pulsar.pl](http://www.pulsar.pl), [www.zasilacze.pl](http://www.zasilacze.pl)